

Mobile column lifts for commercial vehicles



Performance through innovation

Model "HYBRID"

- 8.2t per column
- with cables
- set of 4, 6 or 8 columns



The most flexible solution
for all applications

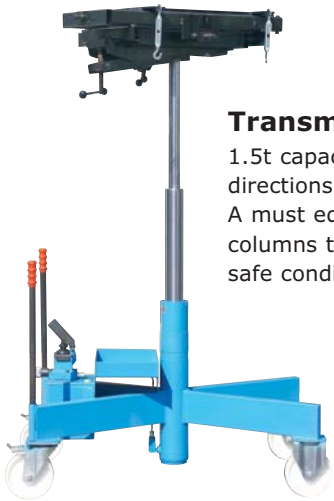
Weight of only
385 kg per column

Lifting speed of
680 mm/min

For tyres from 8.25R20 to 13.00R22,5

- Irreversible design with bronze lifting nut and steel safety nut
- **Automatic greaser** on each column
- "Dead man handle" safety feature on tow handle
- Operating mode available: individual, pair, group
- Detachable remote control to be used from each column
- Individual, pair and group control from all columns with remote control
- Reduced maintenance cost: the nut set can be changed within a few minutes only without dismounting the motor

Accessories and ancillary equipment



Transmission jack

1.5t capacity, swivel head movable in every directions (6 dimensions)
A must equipment to be used in combination with columns to quickly change transmissions in totally safe conditions.



Protection covers

For the use of columns in special environment.

Adapters for smaller vehicles

To reduce width of forks to lift vans or cars.

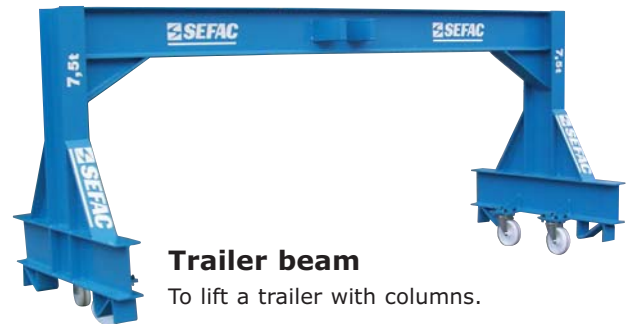


High stands

With spring assistance to facilitate the adjustment safely and with no effort. Accurate position thanks to the thread top (reference TBP 530R).

Crossbeams

To lift vehicles by their chassis.



Trailer beam

To lift a trailer with columns.

Mobile columns lifts for **heavy duty vehicles** feature undeniable advantages in terms of **safety**, **ergonomics** and **extra space**.

With its **Essential**, **Hybride** and **SW2** models, SEFAC offers a wide range of technologies and innovations to make your life easier.

Thanks to a technical expertise based on a **manufacturer's know-how of over 45 years**, our R&D team continuously anticipates the needs of our clients. That is why SEFAC columns are the subject of **many patent applications** both in France and abroad.



SEFAC in the world



SEFAC S.A.

1 rue André Compain - BP 101
08800 MONTHERMÉ - FRANCE

Tél. : + 33 (0)3 24 53 01 82

Fax : + 33 (0)3 24 53 29 18

info@sefac.fr

www.sefac.fr

SEFAC ESPAÑA S.A.

Camino de Rejas 1 - Nave 10

28820 COSLADA - ESPAÑA

Tel : + 34 91 672 36 12 - Fax : + 34 91 672 33 96

comercial@sefac.es - www.sefac.es

SEFAC UK Ltd

1-6 Barton road - Water Eaton - Bletchley
MILTON KEYNES MK2 3HU - The UK

Phone: + 44 (0)1908 82 12 74 - Fax: + 44 (0)1908 82 12 75

info@sefac-lift.co.uk - www.sefac-lift.co.uk

SEFAC USA Inc

30 South 15th Street, 15th Floor
PHILADELPHIA, PA 19102 - The USA

Phone: (877) 220 2041

info@sefacusa.com - www.sefacusa.com

