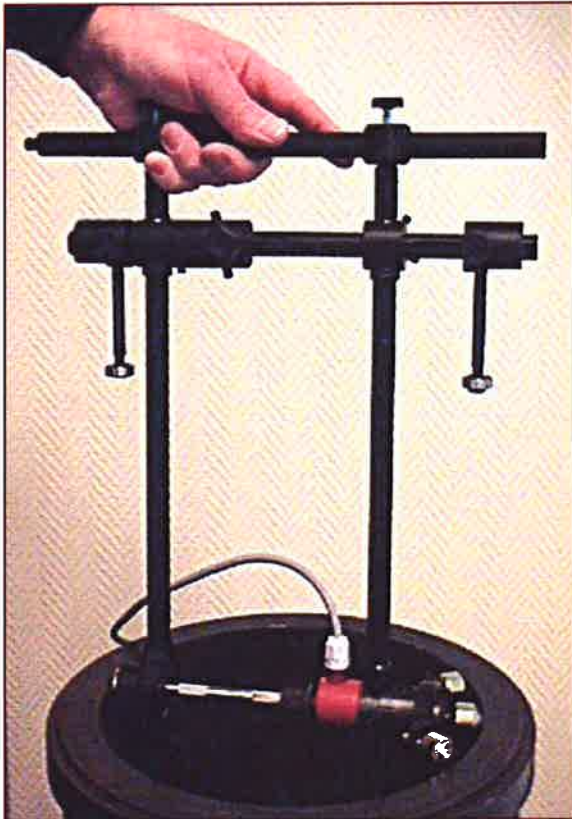


# OVALITY KIT



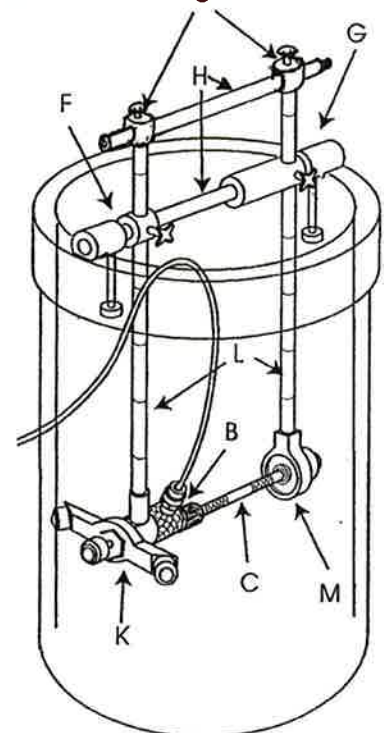
The Ovality Kit is an accessory to the DI-5C Deflection Indicators, primarily designed to measure cylinder liner ovality and for wear comparison at bore diameters 180 – 600 mm and stroke up to 870 mm. This aluminium jig may be modified to take measurements in other applications as well.



The software supplied with the Deflection Indicator DI-5C also handles the measurements taken with the Ovality Kit. By this, you may transfer ovality data to your PC and evaluate and compare, all with graphs and printouts.

Total measuring range is +2,015 mm to -2,015 mm. The drawing below illustrates the complete assembly:

Ovality data in DI-5C PC program:



 **PRISMA TEKNIK**  
Box 5, SE-543 21, TIBRO, Sweden

*AGENTS globally!*

Phone: +46 504 400 40  
Fax: +46 504 141 41  
E-mail: [contact@primateknik.se](mailto:contact@primateknik.se)  
Website: [www.primateknik.se](http://www.primateknik.se)