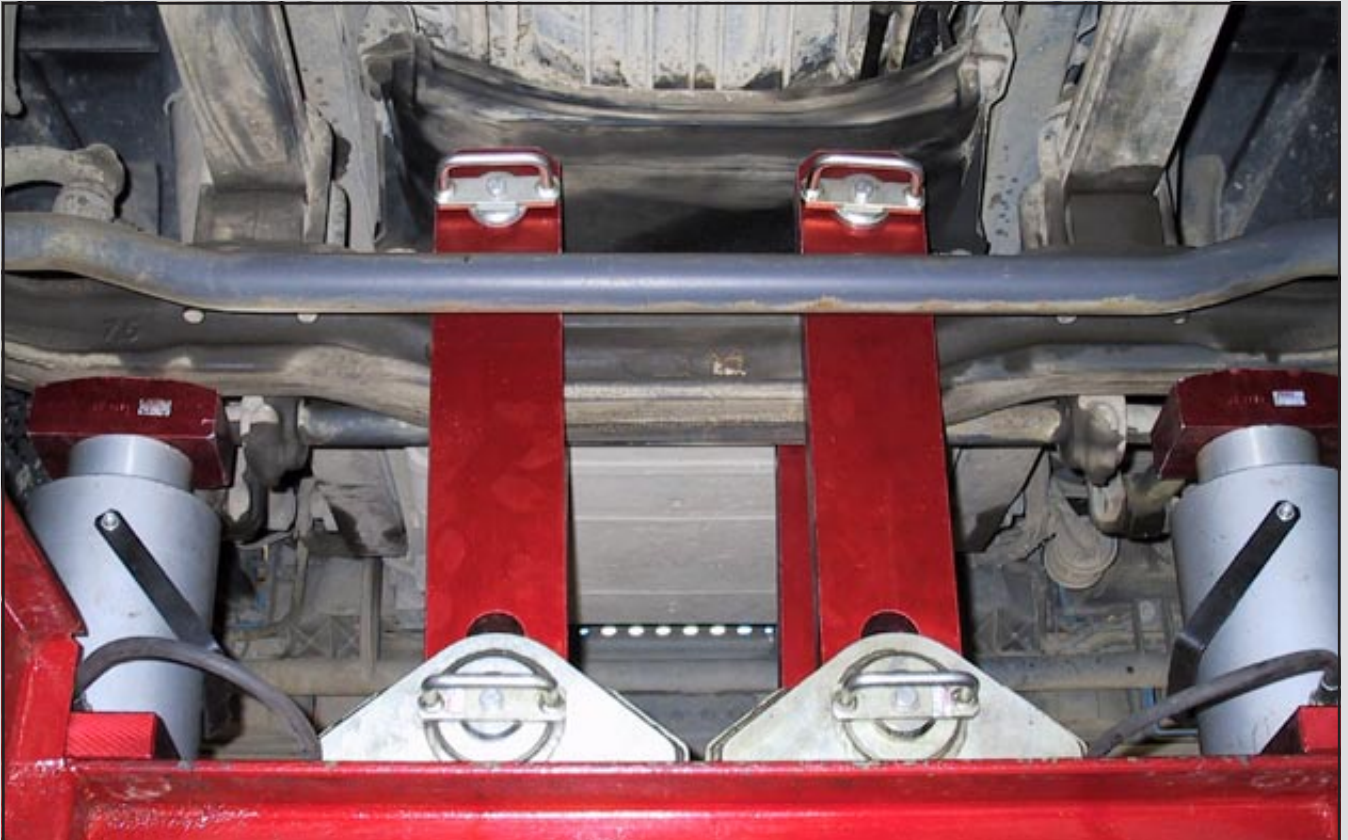




JOSAM front axle correction tool



One of a kind aluminum light weight tools

Finally, you can have lightweight camber/caster correction tools. These aluminum alloy tools are strong, durable, and safe to handle.

Set-up is a fast and easy one man job with our 200 ton system. No more bad backs and smashed fingers. JOSAM has reduced the weight by over 60 % as compared with similar equipment.

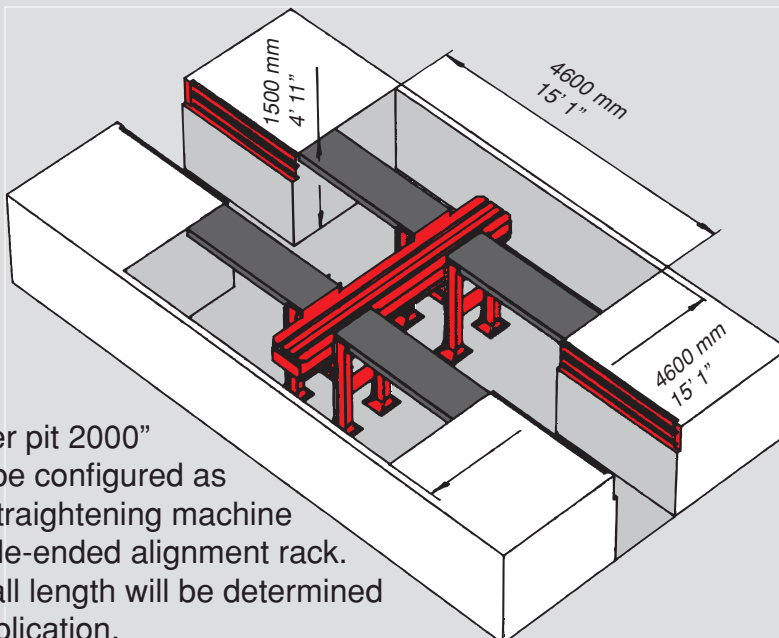
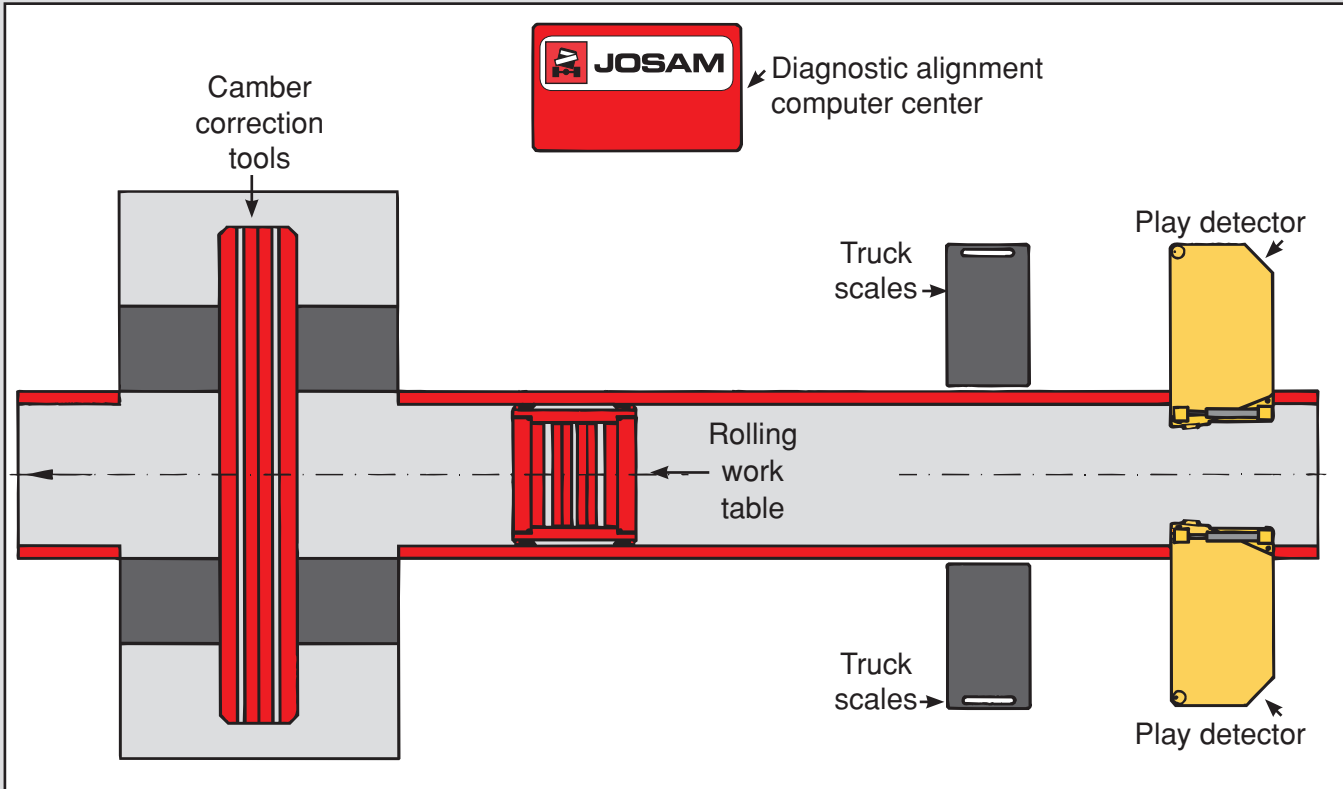
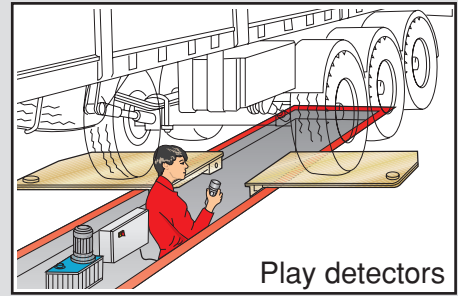


JO 1000 K

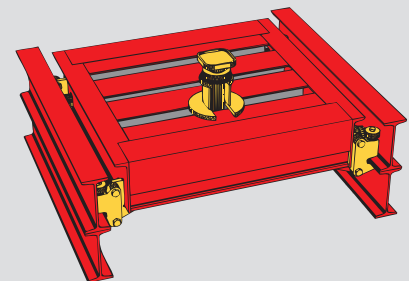
With JOSAM's aluminum components, assembly is hassle-free. These tools can virtually make an old man young again, and add years to the productive life cycle time of an alignment technician.

JOSAM alignment profit center

JOSAM's multi-function alignment pit is a real profit center. Equipped with hydraulic play detectors to diagnose parts wear on the vehicle, it adds instant credibility to the workshop.



The "super pit 2000" can also be configured as a frame straightening machine or a double-ended alignment rack. The overall length will be determined by the application.



The "rolling work table" moves at a touch on roller bearings. Capable of rolling the length of the pit the work tables lift up to 40 000 lbs (about 20 ton). Three of these tables convert the pit into a frame repair area.

Representative:

Manufacturer:



JOSAM

Box 419 • SE-701 48 ÖREBRO • Sweden
 Phone: +46 19 30 40 00 • Fax +46 19 32 03 16
 E-mail: info@josam.se • Internet: www.josam.se