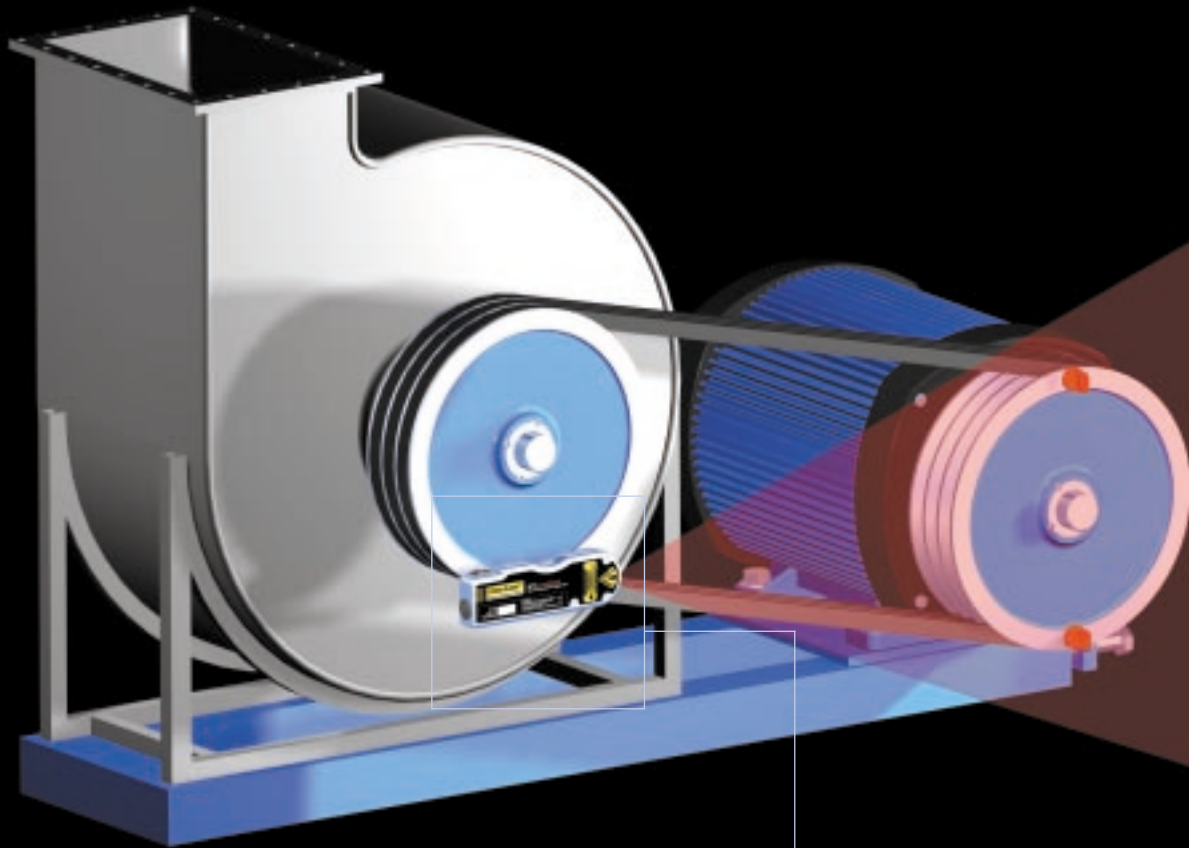


# Easy-Laser®

Measurement and Alignment Systems

## D 80 BTA compact™ Sheave/Pulley Alignment



Compact, light weight  
unit fits almost any  
kinds of sheaves.



Parallel and angular  
misalignment



Parallel misalignment



Angular misalignment



V-BELTS



TIMING  
BELTS



FLAT  
BELTS



CHAIN  
DRIVES

*Easy-Laser® BTA compact™ is  
the perfect tool for sheave and  
pulley alignment.*

*Mounted in a few seconds,  
the laser line projected onto the  
targets allows you to quickly  
ascertain and correct the  
misalignment.*

*It couldn't be easier!*

- ▶ Shows the parallel and angular misalignment between the sheaves.
- ▶ Much faster and more accurate than measuring with earlier, conventional methods.
- ▶ For both horizontal and vertical mounted machines.
- ▶ Alignment can be made by one operator.
- ▶ Also suitable for non-magnetic sheaves.

# D80

# Easy-Laser®

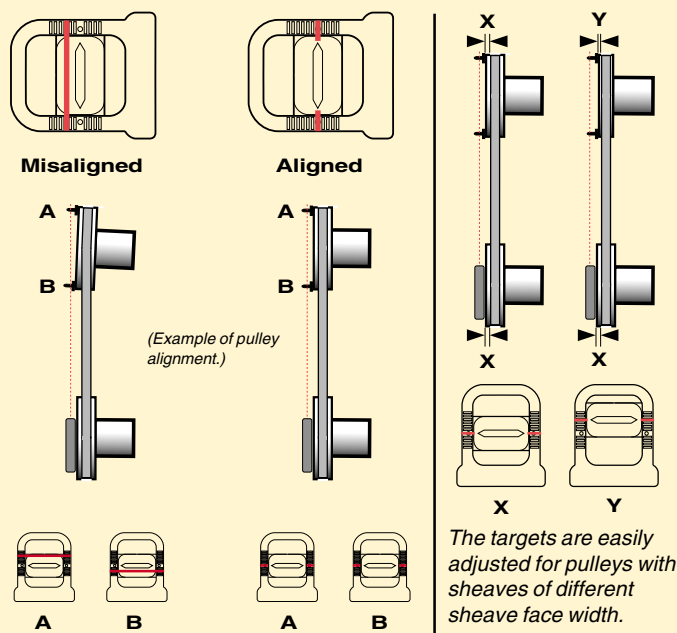
Measurement and Alignment Systems

## Maintenance means savings

In the industry of today, preventive and predictive maintenance is a matter of course. When aligning with the *Easy-Laser® BTA compact™* you reduce the wear on sheaves, belts, bearings and sealings and reduce vibrations. This will give you less downtime, which of course means that you increase the available machine time. Time that guarantees your income. Increased efficiency also means large energy cost savings.

## Easy for the user

The tool is attached in a few seconds, and you can easily see the laser line projected on the targets. When the line lies in the slots of the targets, the machine is in the right position. The result is a fast, precise alignment.



## Technical specifications

Complete tool: Part Nr 12-0222

### Laser transmitter

Sheave diameters	Ø 60 mm [2.5"] and larger
Sheave thickness	Not depending on sheave thickness
Beam angle	78°
Measurement distance	10 m [33 feet]
Battery type	2xR6 (AA) 1.5V
Battery operation	24 hours continuously
Laser class	2
Output power	<1 mW
Laser wavelength	635-670 nm
Housing material	ABS plastics
Dimensions	WxHxD: 188x60x28 mm [7.4"x3.36"x1.1"]
Weight	0.3 kg [10.5 oz]

### Targets

2 pcs. magnet targets

### Measurement accuracy

Better than 0.5 mm or 0.2° \*

### Feature

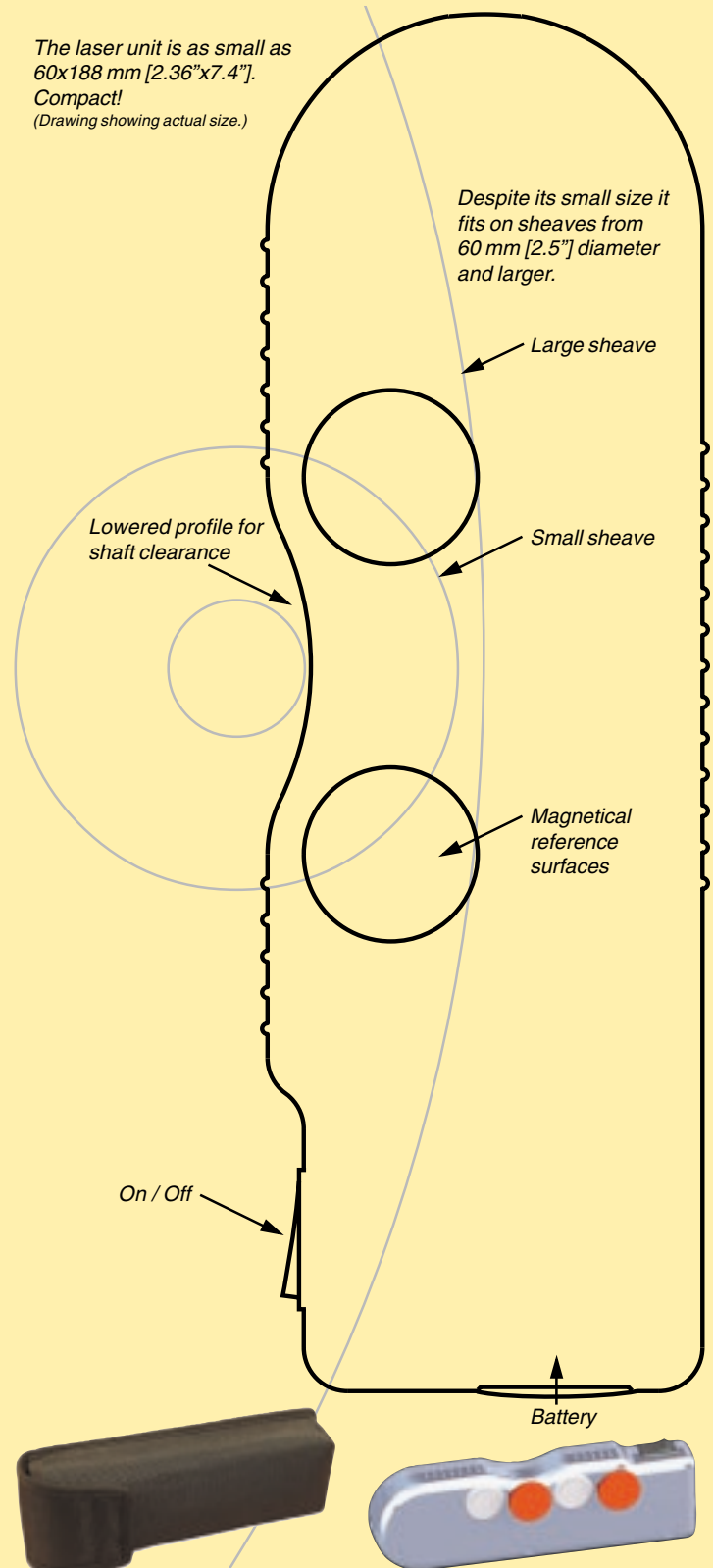
Because of its light weight it can be mounted on non-magnetic sheaves with double sided adhesive tape.

### Calibration

The laserline generated by the tool is calibrated parallel to the two attachment magnets. Can also easily be done in the field when necessary.

# BTA compact™

The laser unit is as small as 60x188 mm [2.36"x7.4"].  
Compact!  
(Drawing showing actual size.)



Despite its small size it fits on sheaves from 60 mm [2.5"] diameter and larger.

Large sheave

Small sheave

Magnetical reference surfaces

On / Off

Battery



Small, padded transportation bag fits easily in any tool case. Compact!



The targets are parked in the laser unit when not in use. Compact!



This product complies with:  
SS-EN60825-1:1994  
21 CFR 1040.10 and 1040.11



05-0162

\*Manufacturers of belts recommends a maximum angular misalignment of appr. 0.25° (4.4 mm/m) [4.4 mils/inch].

**Damalini**  
Measurement And Alignment Technology

Damalini AB  
Åbäcksgatan 6B  
431 67 Mölndal, Sweden  
Tel +46 31 18 87 70  
Fax +46 31 18 87 75  
e-mail: info@damalini.se  
www.damalini.com

Authorized dealer